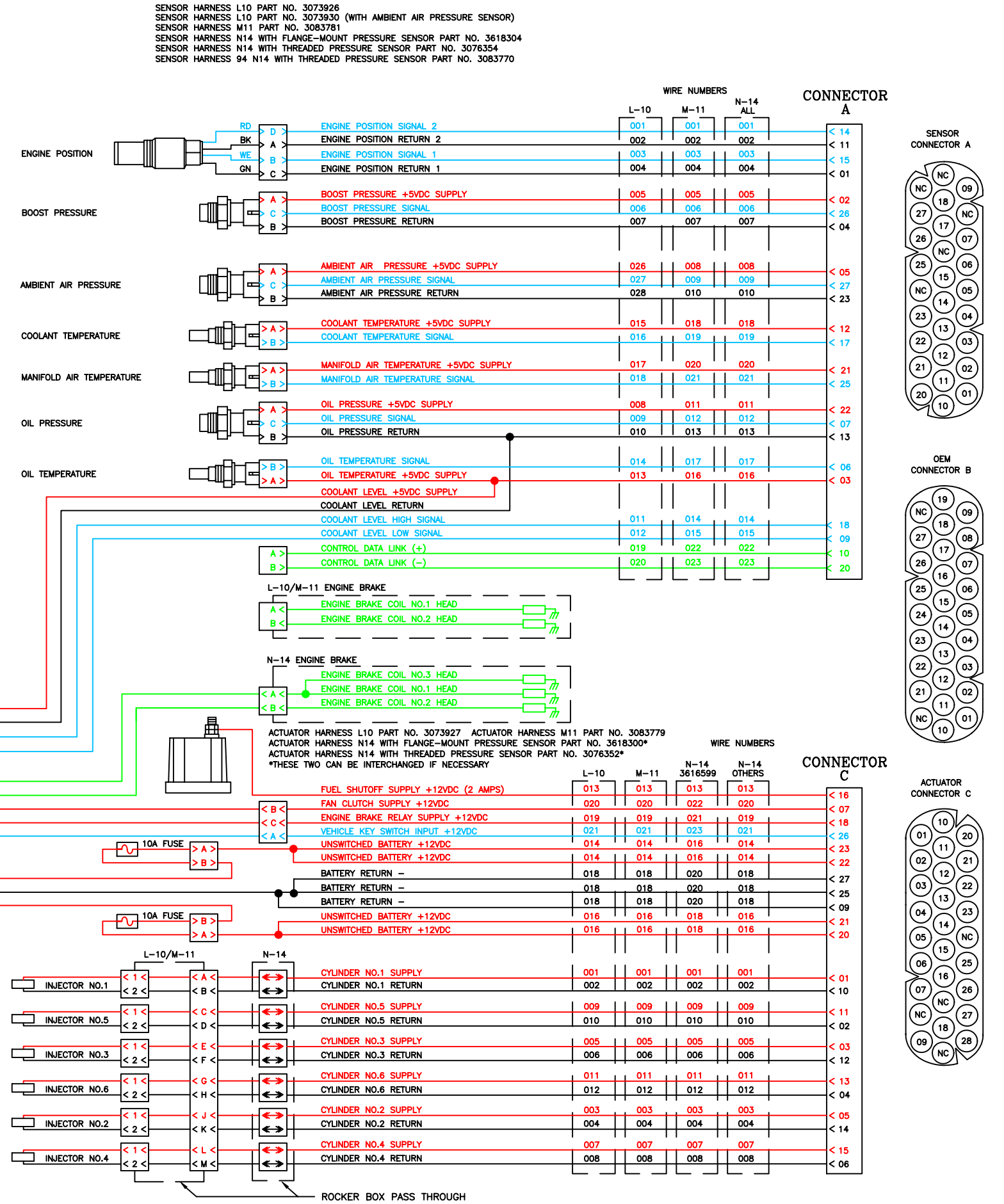
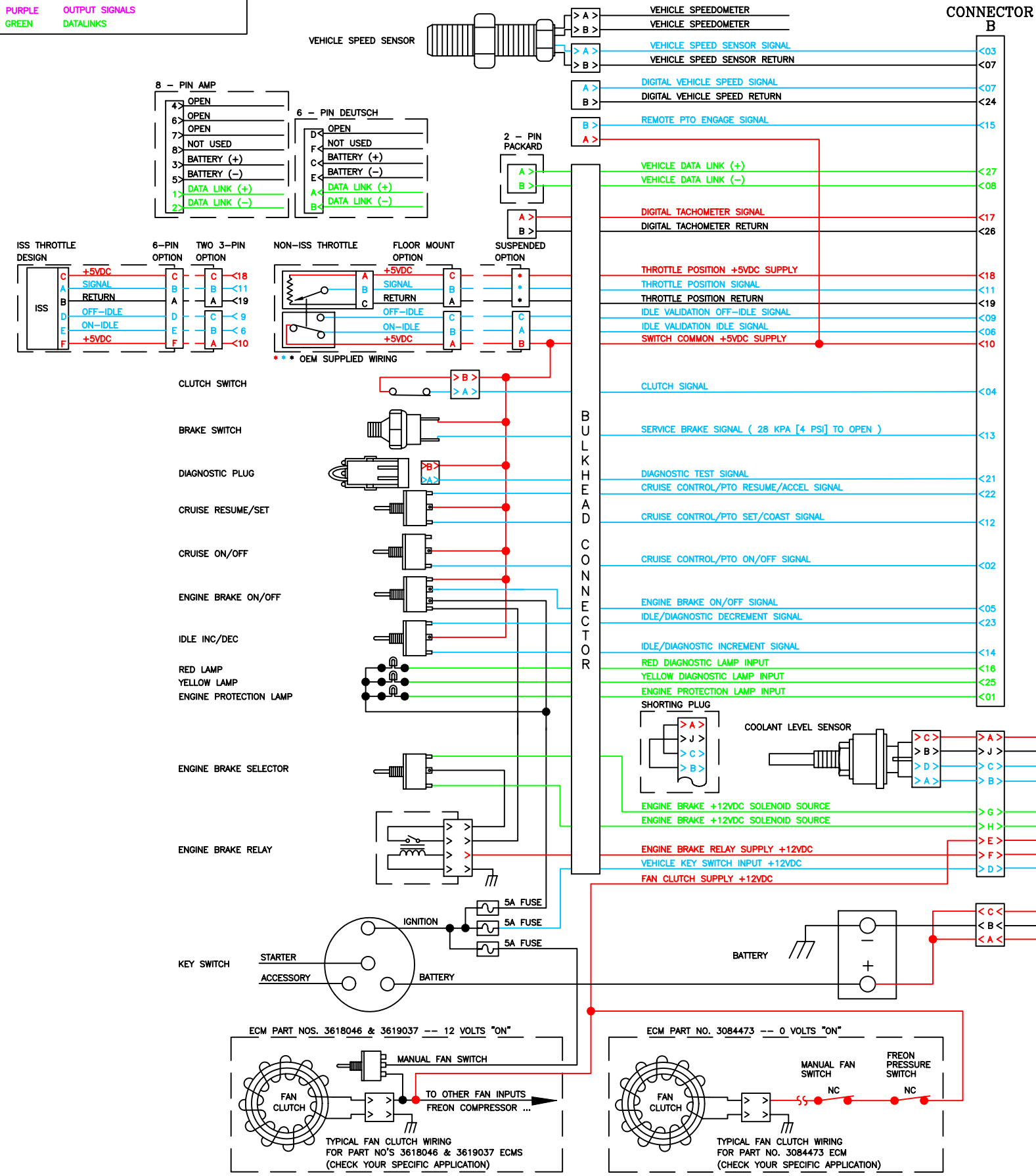


RED DC VOLTAGE  
 BLUE INPUT SIGNALS  
 BLACK GROUNDS, SHIELDS AND RETURNS  
 PURPLE OUTPUT SIGNALS  
 GREEN DATALINKS

OEM RESPONSIBILITY CUMMINS RESPONSIBILITY



NOTE: SOME OF THE CIRCUITS SHOWN HERE WILL NOT BE ACTIVE IN ALL APPLICATIONS. CONSULT THE EQUIPMENT MANUFACTURER'S LITERATURE TO DETERMINE WHICH CIRCUITS ARE USED.

**Cummins** **Celect**™ **Wiring Diagram**

Bulletin 3084473 (for ECM Part Numbers 3618046, 3619037, and 3084473)

OEM RESPONSIBILITY CUMMINS RESPONSIBILITY